

# Permanent Barcode Tag

**XIANGKANG ELECTRONIC CO.,LTD**

Contact person: Andy Ding

M: +86 15021345915

E-mail: andy@czxkdz.com

International office:

No.1199-305 Defu Road, Jiading District ,Shanghai,China



# Permanent barcode tag



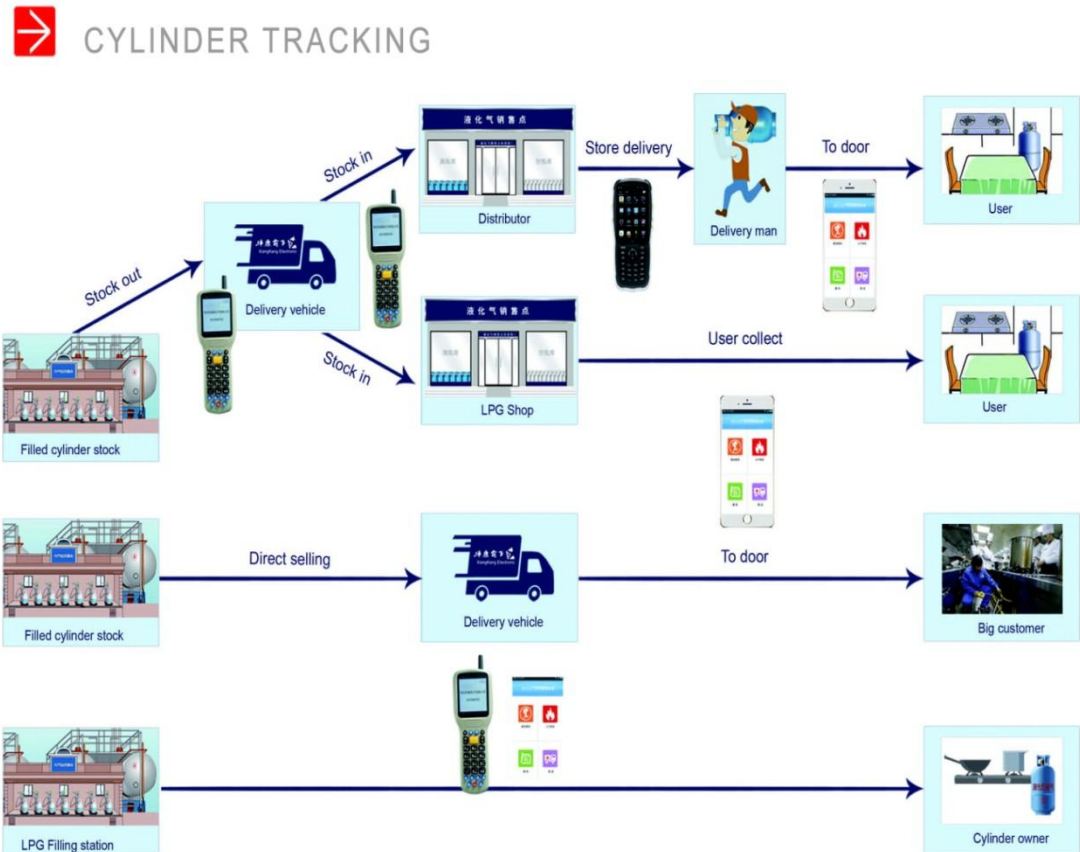
LPG cylinder

# Main function(one-dimensional code)



## One-dimensional code Main function:

- Cylinder ID , cylinder file
- Internal Filling data Management
- Cylinder Tracking
- External Distribution Management

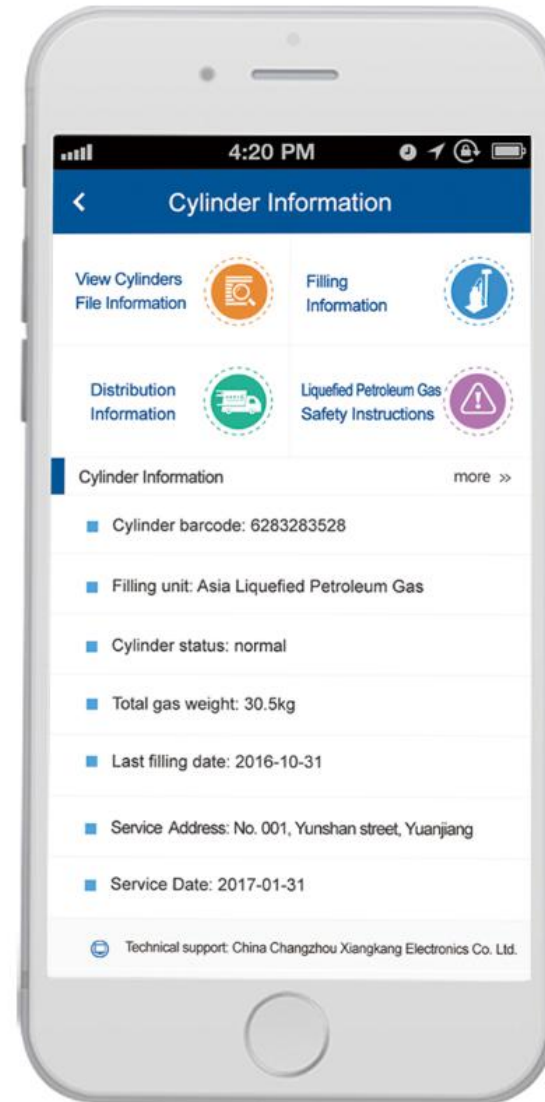


# Main function(QR code)



## QR code Main function:

- Link to website
- Scan order
- Enterprise publicity



# Barcode Installation



Method for **new cylinder** installation:  
Welding



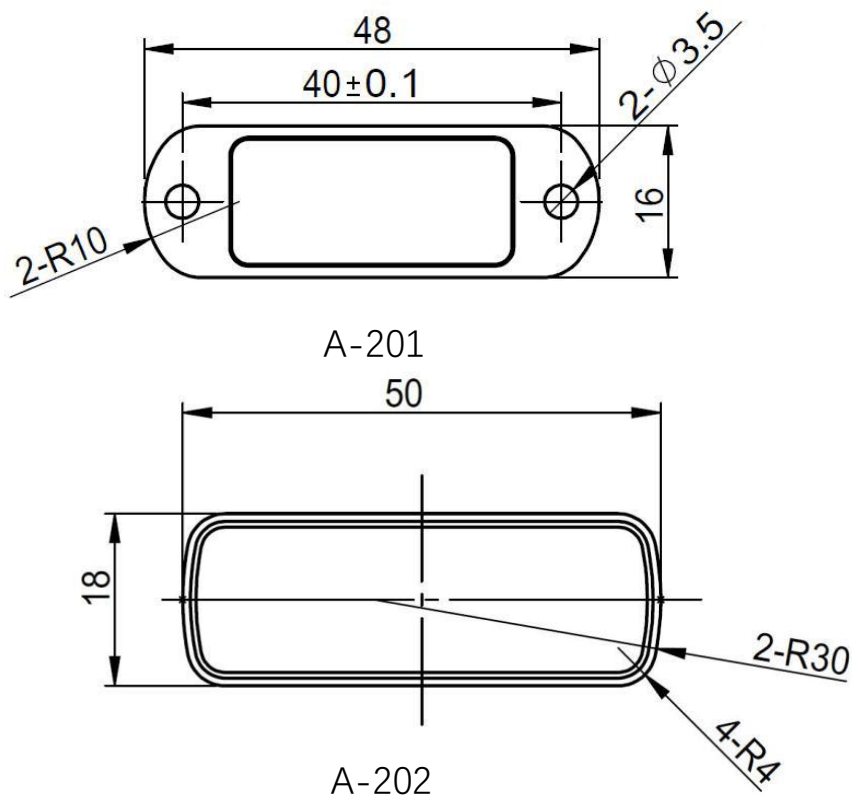
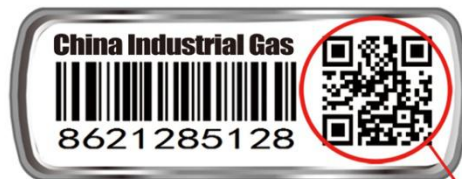
Method for **old cylinder** installation:

- ① Drill holes
- ② Riveting

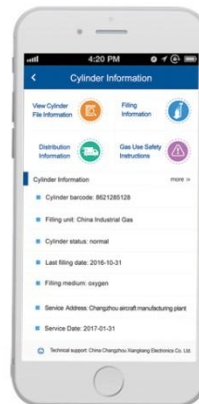


# Permanent barcode tag

Used more for Industrial gas cylinders



New generation Steel glaze composite barcode with QR code



Mobile wechat scan



Industrial Gas Cylinder

# Perfect performance

## Permanent metal-ceramic barcode

One Cylinder , One ID Code , One Document Once Installation , 20 years usage



Cylinder barcode tag is the best choice for gas cylinder tracking and management.

- Outstanding high temperature 800°C resistance.
- Low temperature resistance - 40°C degrees.
- Scraping 10 times with an art knife without damage to the surface.
- Resistance to chemical reagent corrosion, penetration of acetone reagent for half an hour. Wipe with wire ball for removal without damage.
- White base, black bar code, easy and fast to read.
- Excellent image resistance to damaging UV exposure, outdoor use for more than 20 years.
- Ceramic layer protects the image from chemicals abrasion.
- Unbreakable ceramic technology, little bit bend is available.
- Good bendability
- Customer-design accept

# Comparison of barcode and RFID

## Compare between Metal-Ceramic barcode and RFID



Item	Metal-Ceramic barcode	RFID
Life time	No limit,more than 20 years	Life time is limit,normally 2-5 years
Signal	don't need send out signal	Signal is getting weaker and weaker day by day,because it is a kind of electronic components.
Temperatuer allows	-40~800℃	-20~220℃
Reading speed	One by one get asset information with high precision	Batch read,but not stable
Reader	PDA or mobile phone	Requires transmitters,special readers,antennas and other devices
Using environment	Well be used in hostile environment, not affect by metal or water	Can not be well used when metal or water nearby.
Cost	Low	High
Cylinder maintenace process	No need to take barcode down	Must take down and packing in sequence,low efficiency
Successful case	NKoil,Trackout,BOC,LINDE,Praxair, Airliquide,Proto Energy	/



# Cylinders inspection and renewal



To clean residual liquids from cylinders by high temperature firing during renewal process.



Cylinder barcode tags don't need to be taken down, to keep uniqueness for each cylinder.

# Cylinders inspection and renewal



Put a rubber cover to the surface of the barcode. Cylinders go into shot blasting machine to remove rust.



After shot blasting, take down rubber cover, the barcode is clearly visible, without any damage.

# Cylinders inspection and renewal



Take off the black flat after reprinting, the barcode is still intact.



If you just do printing, not do shot blast, paper sticker can replace black rubber cover.

# Application





# Typical customers

 <b>北京液化气</b> BEIJING LP GAS	 <b>百江燃气</b> PANVA	 <b>CHINACAS</b> 中国燃气
 <b>ENN 新奥</b> 用我所能 善待明天	 <b>中民燃气</b> CIVIGAS	 <b>台州燃气</b> TAIZHOU GAS
 <b>KunLun</b> LUBRICANT	 <b>康大燃气</b> KANG DA	 <b>一丰燃气</b>
 <b>首钢气体</b> SHOUGANG GAS	 <b>武钢气体</b> WISCO GASES	 <b>MESSER</b>
 <b>PRAXAIR</b> 普莱克斯实用气体，精益求精，惠泽全球	 <b>AIR LIQUIDE</b>	 <b>Linde</b> 林德
 <b>金宏气体</b> JINHONG GAS	 <b>海天气体</b> HAICHANG 致力于成为中国最佳气体服务商	 <b>中国兵器工业集团</b> NORINCO GROUP
 <b>YTO 中国一拖集团有限公司</b> YTO GROUP CORPORATION	 <b>太仓金阳气体有限公司</b> Taicang Jinyang Gas Co., Ltd.	 <b>晨虹特气集团</b> 南京特种气体厂有限公司
 <b>ONA 联升气体</b>	 <b>Coca-Cola</b>	 <b>龙岩日平工贸有限公司</b> 福建省著名商标
 <b>SHV Energy</b>	 <b>bp</b>	



# Cooperation